



# Follo Corpus



**Follo Corpus SX**  
(126-225100F)



**Follo Corpus Masolett**  
(113-119100-C)



**Follo Corpus B**  
(106-210-00)

Follo Futura has been producing treatment tables for a number of years. The Follo Corpus tables are based on the Masolett table; one of Europe's most acknowledged examiner, - and treatment table. Years of experience, development and testing lie behind their design and construction. Follo Futura offers a wide range of tables;

Follo Corpus Sax (SX) is a high quality table at a good price. The product has the most up-to-date and modern design. It's construction allows for linear raising and lowering of the bench. It is delivered with a foot pedal for easy adjustment. The table is supported by permanent stable legs with adjustment controls on one leg for optimal stability on any type of floor.

Follo Corpus Masolett (M) is a universal table with a number of different applications. The Corpus M model comes with three different cushion solutions; variants with two, three or five cushions. This gives the Follo Futura M table great flexibility for examinations and treatment. Physiotherapists might choose between electric or hydraulic lift mechanism. The table standard has a control wheel lift system and operating handle for electric and hydraulic pump for manual adjustment (lowering/raising).

Follo Futura's tables have cushions with softness that is much appreciated by patients. The tables are delivered with synthetic leather coating in six standard colours; black, anthracite, orchid, cyclamen, egg shell and cornflower blue. The steel support frame is delivered with a grey powder coating surface that is easy to clean.

Follo Futura is certified under ISO standards (EN NS-ISO 9001:2008), and it's products are subject to internal quality control system. All tables are CE approved. The products are manufactured and assembled entirely in Norway.

Follo Futura AS  
Brekkeveien 43, 1430 ÅS  
Telefon: +4764942165  
Fax: +4764942131  
E-post: [info@follo-futura.no](mailto:info@follo-futura.no)  
[www.follo-futura.no](http://www.follo-futura.no)

# Follo Corpus Saxs (SX)

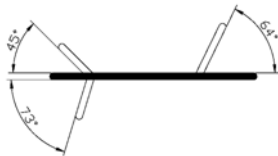
Follo Corpus SX  
(126-225100F)



Follo Corpus SX  
(126-225100H)



Cushion adjustments



Follo Corpus SXT  
(126-225200T)



Follo Corpus SXTG  
(126-225400TG)



Cushion adjustment

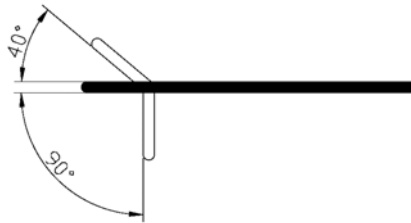


# Follo Corpus Masolett (M)

Follo Corpus Masolett, 2 cushions (113-119100-P) PRIMA



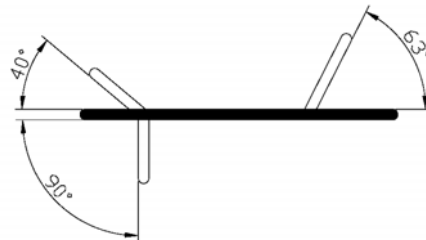
Cushion adjustments



Follo Corpus Masolett, 3 cushions (113-119200-B) BAS



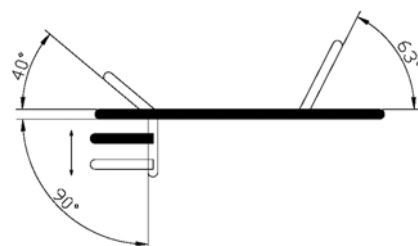
Cushion adjustments



Follo Corpus Masolett, 5 cushions (113-119100-C) CERVI



Cushion adjustments

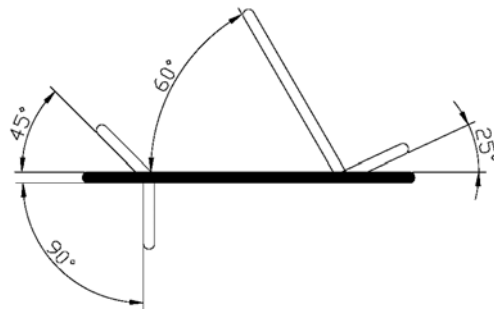


# Follo Corpus Gynokolog (G)

Follo Corpus Gynokolog, 3 cushions  
(124-303196 Hydraulic)  
(124-303596 Electric)



Cushion adjustments



# Follo Corpus B

Follo Corpus B  
(106-210-00)



Follo Corpus B (2—delt)  
(106-210-02)



Cushion adjustment



# Technical specifications

## Technical specifications Follo Corpus SX

Item number	Type	Height	Length/width	Cushions	Lifting system	Weight
126-225020P		50/102cm	201/70cm	2	El. Foot switch	74kg
126-225010P	Castors with lock	50/102cm	201/70cm	2	El. Foot switch	74kg
126-225100F		50/102cm	201/70cm	3	El. Foot switch	74kg
126-225100H	Castors with lock	50/102cm	201/70cm	3	El. Foot switch	74kg
126-225200T	Castors with lock	51/104cm	200/70cm	2	El. Foot switch	76 kg
126-225400TG	Castors with lock	51/104cm	202/70cm	2	El. Foot switch	77 kg
Maximum total load	225 kg					

## Technical specifications Follo Corpus M

Item number	Height	Length/width	Cushions	Lifting system	Weight
113-119100-B	45-97cm	196x70cm	3	Electric rail control	75kg
113-119100-C	45-97cm	196x70cm	5	Electric rail control	75kg
113-119100-P	45-97cm	196x70cm	2	Electric rail control	75kg
113-119200-B	45-97cm	196x70cm	3	Hydraulic	75kg
113-119200-C	45-97cm	196x70cm	5	Hydraulic	75kg
113-119200-P	45-97cm	196x70cm	2	Hydraulic	75kg

## Technical specifications Follo Corpus G

Item number	Height	Length/width	Cushions	Lifting system	Weight
124-303196	45-97cm	196x70cm	3	Hydraulic	75kg
124-303596	45-97cm	196x70cm	3	Electric rail control	75kg

## Technical specifications Follo Corpus B

Item number	Height	Length/width	Cushions	Lifting system	Vekt
106-210-00	45cm/84 cm	200cm X 120cm	1	Electric	125 kg
106-210-10	45cm/84 cm	200cm X 140cm	1	Electric	125 kg
106-210-20	45cm/84 cm	200cm X 160cm	1	Electric	125 kg
106-210-02	45cm/84 cm	200cm X 120cm	2	Electric	125 kg
106-210-12	45cm/84 cm	200cm X 140cm	2	Electric	125 kg
106-210-22	45cm/84 cm	200cm X 160cm	2	Electric	125 kg
Max static load	250 kg	Max dynamic load	160 kg		

# Therapy chair

Follo Corpus F  
115-211-00



# Complementary accessories

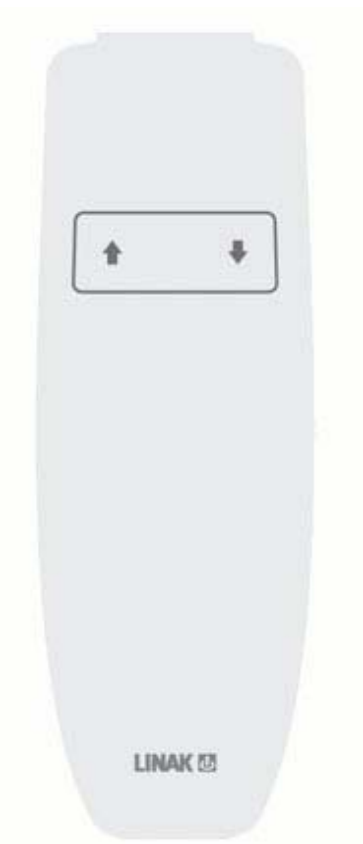
Tissue paper roll holder  
(SX and M)



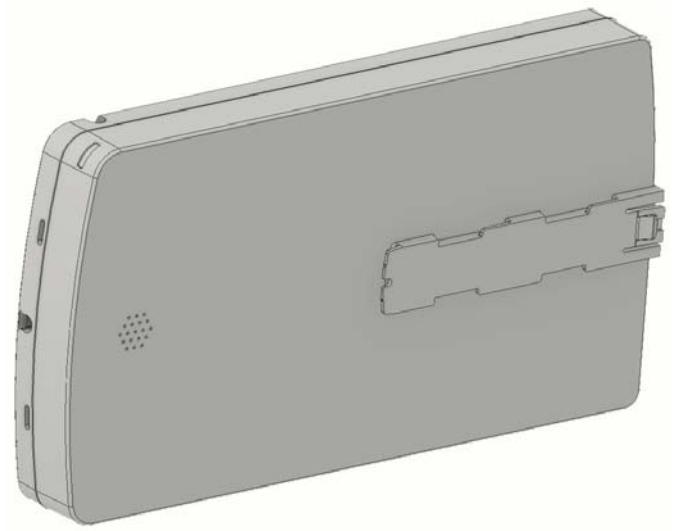
Nose pad  
119-310056



Hand hold control HB81  
670-004440



Battery BA21  
670-004460



# Bolsters



Half circle 40x78,5xR39 cm  
139-718000



Psoas 28x43x50 cm  
139-718020



Half circle 20x50xR6 cm  
139-718005



Triangular 12x25x50 cm  
139-718010



Circle, hard / soft Ø10x50cm  
139-718030 (Hard)  
139-718030-S (Soft)



Circle, hard / soft Ø15x50cm  
139-718031 (Hard)  
139-718031-S (Soft)



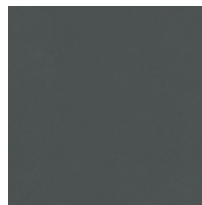
Circle, Hard / Soft Ø20x50cm  
139-718032 (Hard)  
139-718032-S (Soft)



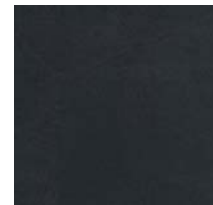
# Cushion Colour



Eggshell white



Dark Grey



Black



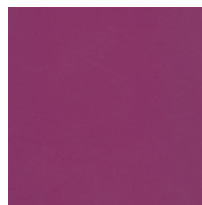
Corn blue



Royal blue



Cyclamen



Orkide

## Data

Environmental certificate: Øko-Tex standard 100 klasse IV (No S20-0188)

Pisa has wheel mark symbol (Marine Equipment Directive)

Colour fastness: 5 (towards petrol etc.)

Light fastness: 5 (ISO 105 B02)

Fire classification:

FMVSS 302/ ISO 3795 (car)

SS-EN 1021-1&2 (furniture)

IMO Res.A.652(16) (boat)

Burning speed: <100 mm/minute

